



baseboxes

ducting box for bollards

main features

Robust rotationally moulded product.

Holding down bolts are securely fixed in position at the factory thereby eliminating any 'misalignment' problems. This ensures that the basebox will drop straight into the ducting box.

Optional temporary lid prevents dirt ingress into the ducting box if the bollard is not to be installed until a later date. Ø64mm and Ø108mm trepans are provided on all four sides for straightforward attachment of duct. Provision for height adjustment to allow for sites where the final 'ground-line' height may not be known.

Compatible with all Haldo Basebox configurations, i.e. baselite, safelite and Halo Bollards.

Groundwork can be completed by one contractor, and the bollard itself can be installed at a later date by a different contractor (i.e. electrician). Basebox can be removed without having to 'break-out' concrete.



Re-flex bollard installation



HALDO



baseboxes

ducting box for bollards

specification

Rotationally moulded MDP, black ducting box for bollard installation.

Duct entry is effected by cutting around the appropriate size of pre-trepanned profile. Ø64mm and Ø108mm trepans are provided on all four sides of ducting box.

This product has been designed to be compatible with all Haldo base illuminated bollards.

Figure 1. Lid for ducting box. Part number D1/BBL2/2.

Figure 2. Haldo Basebox predrilled for ducting box.

Standard bolt down lid. Part number:

C2/BL2/19A-DB 2x8 watt.

C2/BL2/19B-DB 3x8 watt.

C2/BL2/19C-DB 2x11 watt.

C2/BL2/19D-DB 3x11 watt.

Quick Release Lid. Part number:

C2/BL2QR/19A-DB 2x8 watt.

C2/BL2QR/19B-DB 3x8 watt.

C2/BL2QR/19C-DB 2x11 watt.

C2/BL2QR/19D-DB 3x11 watt.

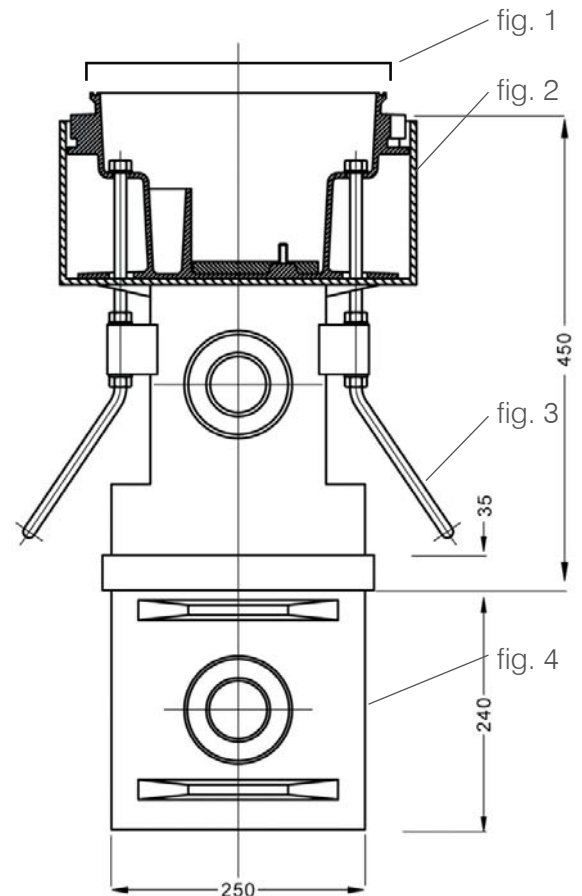
Halo Bollard. Part number:

C6/HAL/19B-DB 3x10 watt standard ballast.

C6/HAL/19D-DB 3x10 watt electronic ballast.

Figure 3. Ducting box c/w fitted with 'U' Bolts.
Part number D1/BBL2/1.

Figure 4. Extension for Ducting Box. Part number
D1/PAC2.



HALDO



Haldo Developments Limited

Western Way Bury St. Edmunds Suffolk IP33 3SP UK

T. +44 (0)1284 754043 F. +44 (0)1284 767260

info@haldo.com

www.haldo.com

Haldo Developments Ltd is a co.
registered in England and Wales

Reg no.940159

VAT No. GB 102 351627